

Clearance Items

Design Tech Exhibits
2418 Grenoble Rd.
Richmond, VA 23294

Phone: 804.755.4309
Toll Free: 800.351.3751
Fax: 804.755.4310

Banner Stands

All banner stands include padded carry bag or carry case. Add graphic to any stand here: \$245

non-retractable • new demo units

Chrono 1
graphic size
31.5"w x 84.5"h
Hardware orig. price \$180
sale price \$120

Chrono 2
graphic size
31.5"w x 86"h
Hardware orig. price \$222
sale price \$145

Banner Stand
graphic size
31.5"w x 86.6"h
Hardware orig. price \$250
sale price \$165

retractable • new demo unit

QuickScreen 1
graphic size
33.5"w x 79"h
Hardware orig. price \$400
sale price \$285
Halogen Light orig. price \$234
sale price \$100

Panel Systems

All panel systems are covered in velcro compatible fabric for easy graphic attachment. (Used displays)



Four panel table top
panel size approx. 23"x47"
*also available in grey



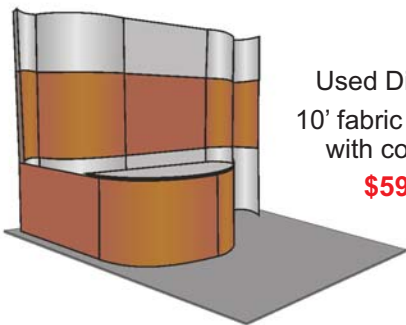
Three panel table top
panel size approx. 23"x47"
*also available in grey



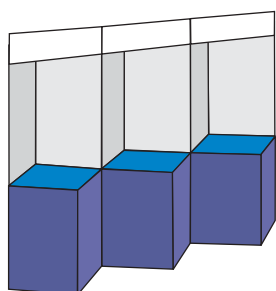
10' Display



10' Display



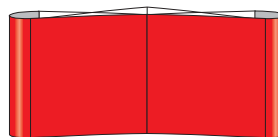
Used Display
10' fabric display
with counter
\$599



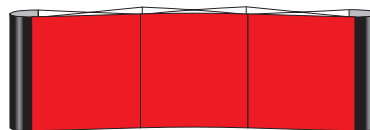
Demo Unit
10' Display includes
three backlit headers,
counters and lights
orig. price \$2400
sale price \$1495

Pop Ups

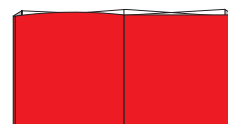
Table top versions with velcro compatible fabric, include carry bag.



6' w x 31''h - curvewall
\$275



10' w x 31''h - curvewall
\$350



6' w x 31''h - one flat/one curved panel
\$250